

Vacuum ISO100 Viewports

McPherson offers a range of vacuum viewports. Viewports of select materials can be scintillator coated for alignment and detection applications too.

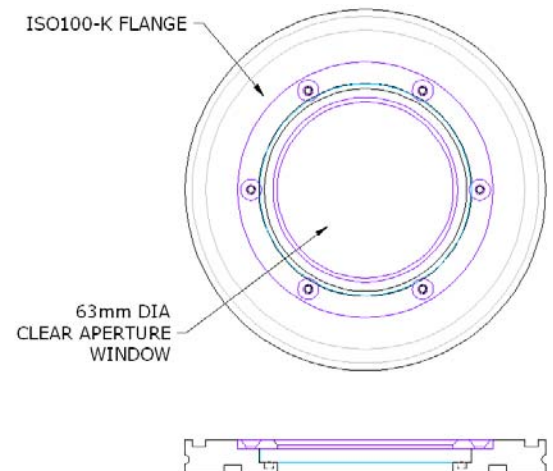
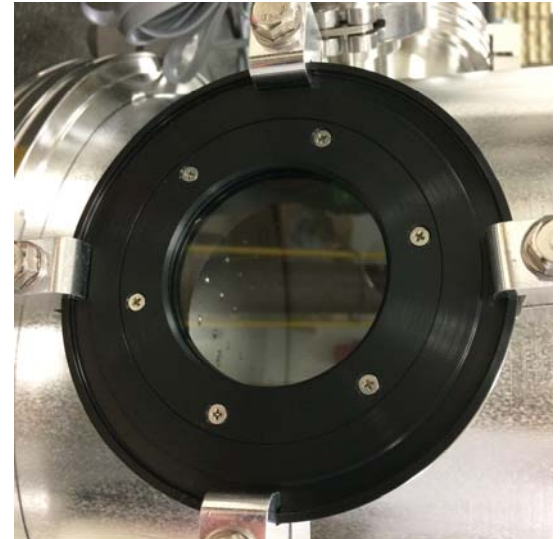
High-vacuum compatible ISO NW100 viewports with $\varnothing 63\text{mm}$ clear aperture windows are available with GLASS, ultraviolet-grade fused silica, and/or calcium fluoride windows. Magnesium fluoride is available in smaller $\varnothing 37\text{mm}$ c.a. window sizes.

Designed for use at high vacuum (HV) pressures, McPherson's ISO viewports utilize Viton® o-ring seals to create an air-tight metal/glass seal, allowing for pressures to $10\text{E-}7$ Torr range. The vacuum windows are interchangeable, enabling the user to replace or swap out vacuum windows mounted in our ISO flanges. Both the Viton O-Rings and ISO Flanges (viewports without vacuum windows) for use with $\varnothing 3"$ windows are available separately.

Custom designed CF, ISO or KF viewports can be quoted on request

All viewports are fragile and should be handled with care. Viewport materials are selected for a wavelength of interest. Deposits can change optical properties. If the vacuum process tends to deposit material, add a shutter!

Our flanges are designed for vacuum systems, not pressure systems



Zero length viewport | Viton™ o-ring | $<2 \times 10^{-10}$ atm cc/sec He leak rate | $150\text{ }^\circ\text{C}$ max bake

Part No.	Description
102-113274-0	ISO100-K window flange assy
02-146	Replacement Viton® o-ring seal
BK7	Glass window, 75mm DIA, 63mm CA
SiO	UV-grade fused silica window, 75mm DIA, 63mm CA 355-113277
CaF	Calcium fluoride window, 75mm DIA, 63mm CA
MgF	Magnesium fluoride window, 50mm DIA, 37mm CA max
230-112690-0	ISO100-K centering ring
230-112691-0	ISO100-K clamps (4 pcs)